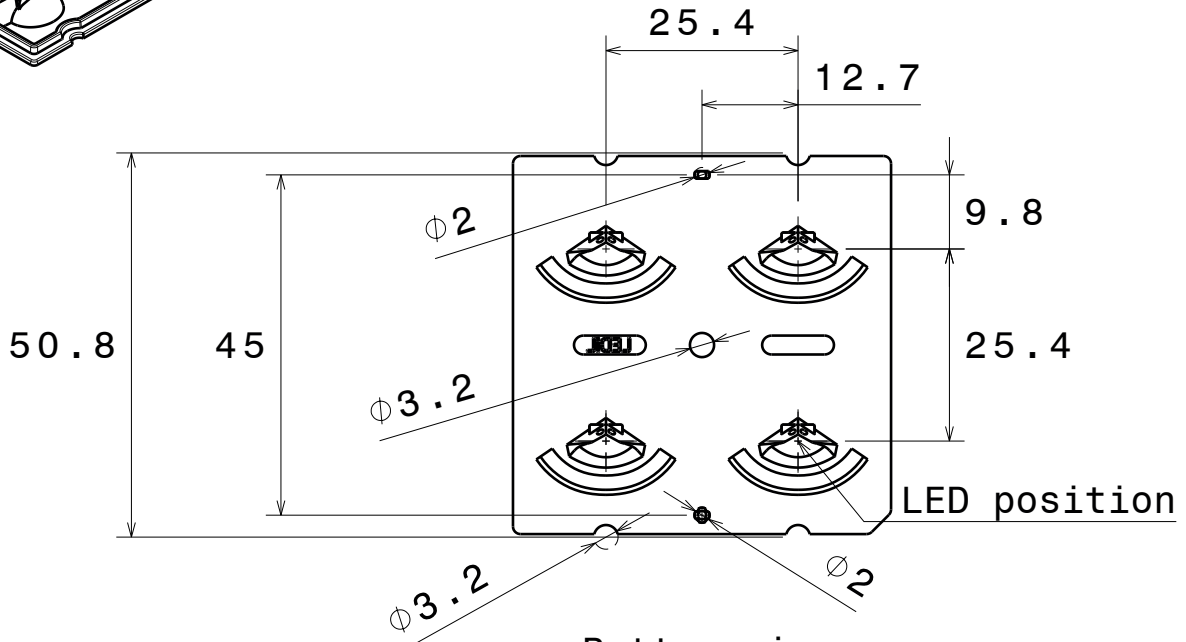
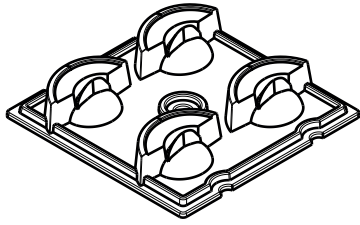


D

C

B

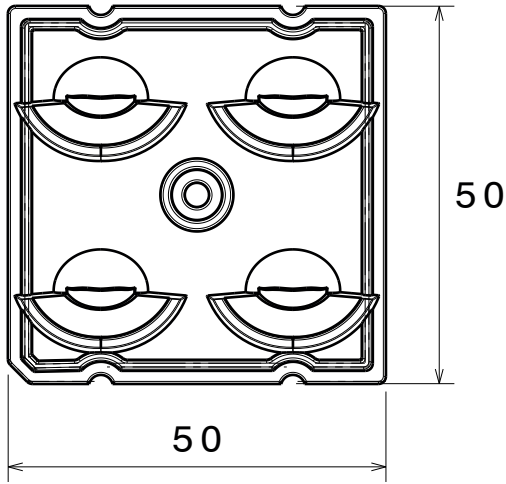
A



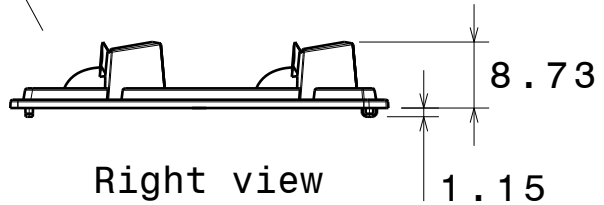
Bottom view  
Scale: 1:1



Beam direction



Top view  
Scale: 1:1



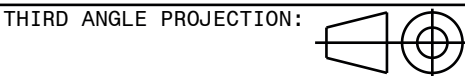
Right view  
Scale: 1:1

INDEX	PART NO	DESCRIPTION	MATERIAL	COLOUR
1	C14556	STRADA-2x2-TF	PMMA	clear

Plastic moulding general tolerances according to DIN 16901-130 and applies if not otherwise shown in the drawing. Silicone moulding general tolerances according to ISO 3302-1 Class M3 and applies if not otherwise shown in the drawing.



Ledil Oy  
Salorankatu 10  
FIN 24240 SALO  
Finland



DRAWING TITLE

C14556\_STRADA-2x2-TF

This drawing is the property of LEDiL Oy. It may not be reproduced, copied or communicated without a written agreement with LEDiL Oy.

SIZE PART NUMBER

A4

C14556

SCALE 1:1

SHEET 1/1

D

A